

# X2777

Ball valve

Shut off system

## Technical Data Sheet



## Description

The Ball valve X2777 can equip all types of installations. it's a ball valves particularly suitable for smaller sizes.

- 2-piece ball valve
- Full bore
- Handle can be locked in open or closed positione

### X2777

Ball valve - Shut off system



DN	PFA in bar	PS in bar				Cat.	Réf	Weight Kg
		L1	L2	G1	G2			
1/4	8	63	63	63	63	4.3	<b>149B12516</b>	0,23
3/8	10	63	63	63	63	4.3	<b>149B12517</b>	0,23
1/2	15	63	63	63	63	4.3	<b>149B12518</b>	0,24
3/4	20	63	63	63	63	4.3	<b>149B12519</b>	0,45
1	25	63	63	63	63	4.3	<b>149B12520</b>	0,65
1 1/4	32	63	62	63	0,5 63	4.3	<b>149B12521</b>	1,05
1 1/2	40	63	50	63	0,5 25	4.3	<b>149B12522</b>	1,70
2	50	63	40	63	0,5 20	4.3	<b>149B12523</b>	2,61
2 1/2	65	63	30	63	0,5 15	4.3	<b>149B12524</b>	5,01
3	80	63	25	63	0,5 12	4.3	<b>149B12525</b>	7,61
4	100	63	20	63	0,5 10	4.3	<b>(consult us)</b>	14,75

#### Important notice :

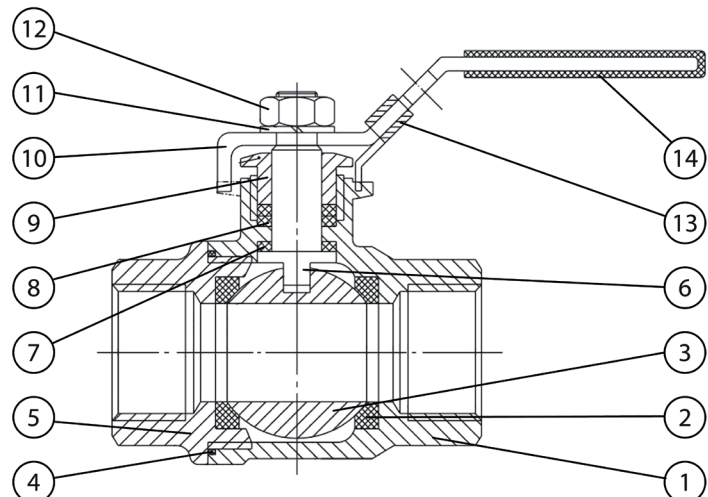
The indicated pressure for the different categories of fluids (L1/L2/G1/G2) is under no condition a guarantee of use. Therefore, it is essential to validate the use of products under given operating conditions.

#### Technical features

Operating temperature	-25 °C to 180 °C
Permissible operating pressure (PFA) in water	See table above and Pressure/Temperature diagram
Maximum permissible pressure (PS) other mediums	See table above and Pressure/Temperature diagram (L1 only)
Connection	Female / female, (ISO 228-1)
Mediums	Various fluids, water

#### Nomenclature and materials

N°	Description	Materials
1	Body	CF8M
2	Ball Seat	R-PTFE (15%)
3	Ball	SS316
4	Body gasket	PTFE
5	Cap	CF8M
6	Stem	SS316
7	Thrust washer	PTFE
8	Stem packing	PTFE
9	Gland nut	SS304
10	Handle	SS304
11	Spring washer	SS304
12	Nut	SS304
13	Lock device	SS304
14	Handle cover	Plastic



## Approvals

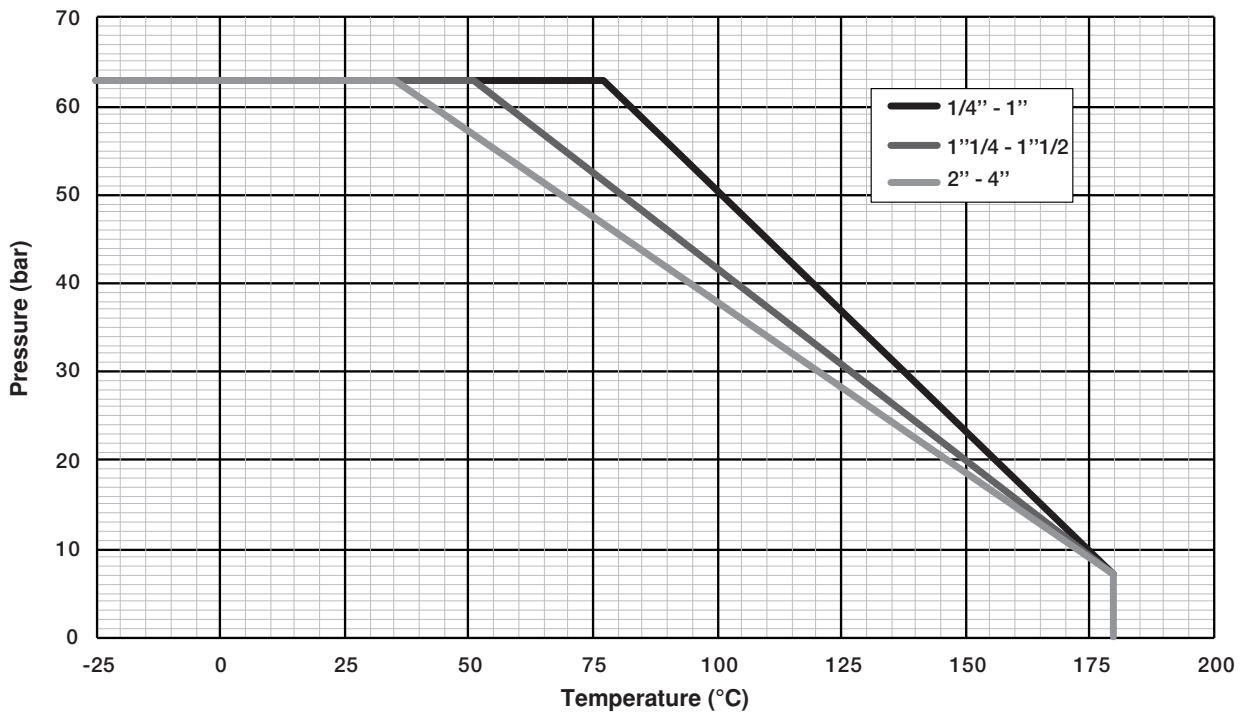
**International construction Standards :**  
Directive 2014/68/UE

## Application

Industry, high pressure, high temperature.

## Operation

**X2777** - Pressure / Temperature diagram



Medium : Water - Liquid L1

## Sizing

DN		A	B	C	D
"	mm	mm	mm	mm	mm
1/4	8	11,5	49	54	105
3/8	10	12,5	49	54	105
1/2	15	15	57	56	105
3/4	20	20	64	65	118
1	25	25	77	70	150
1 1/4	32	32	90	75	150
1 1/2	40	40	105	93	182
2	50	50	125	99	182
2 1/2	65	65	153	123	254
3	80	76	172	140	254
4	100	94	221	175	285

